

**Gaber**<sup>®</sup>  
keep dreaming on **gaber.it**

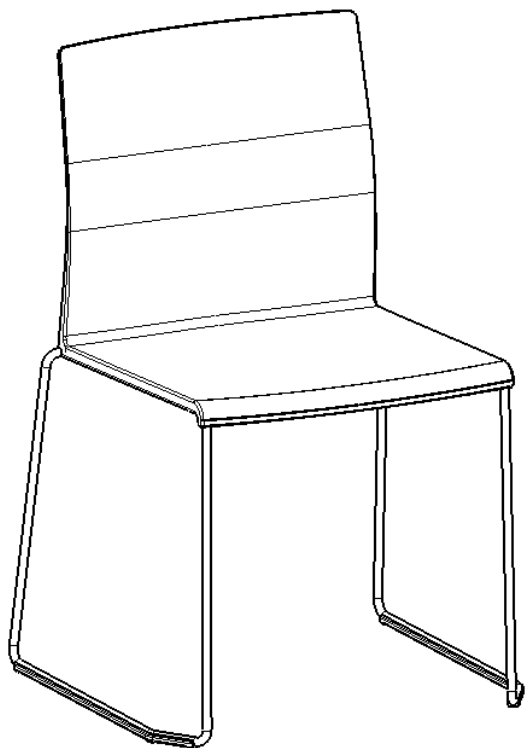


**Artesia S** - Disassembly Direction

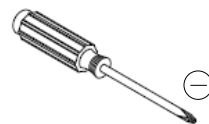


## ARTESIA S

Disassembly Direction



### TOOLS



Cacciavite | Screwdriver  
Tournevis | Destornillador

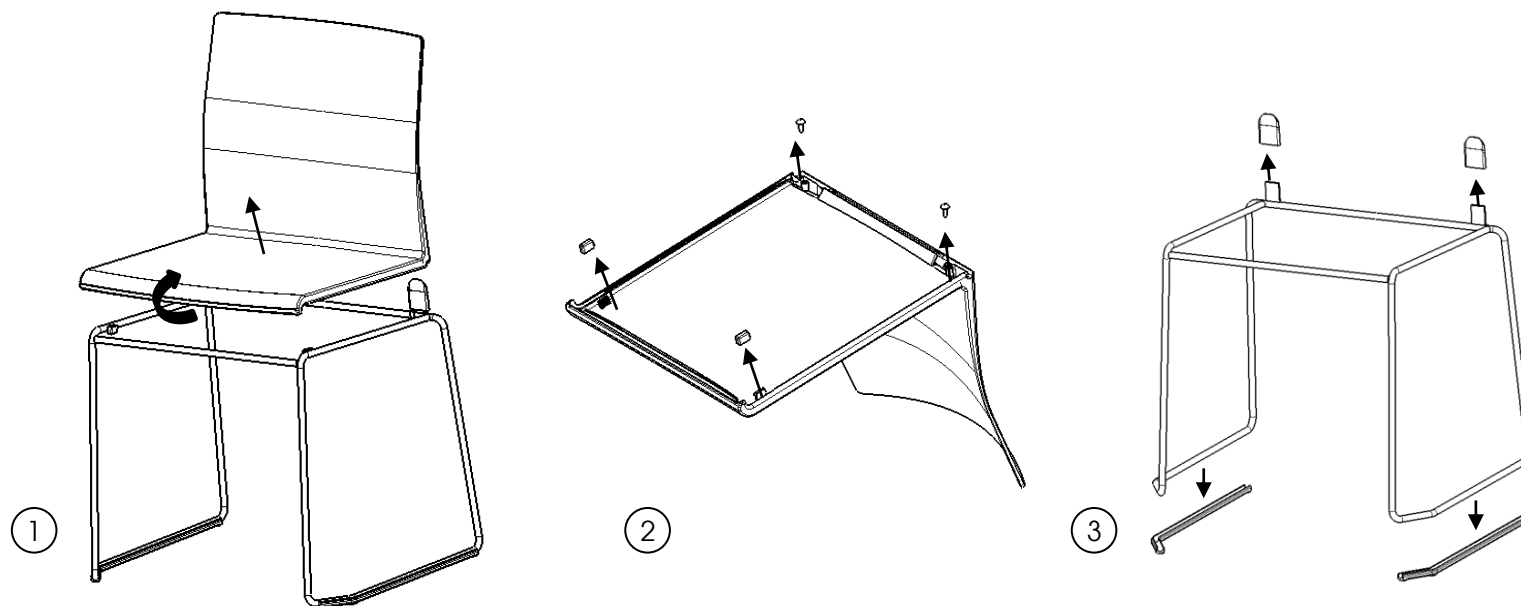


Plier | Pinza  
Pince | Alicates

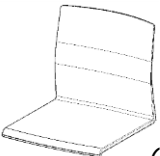

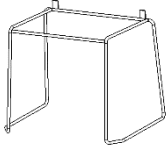
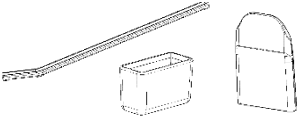
For any question or request, contact your local dealer, or Gaber line at: Per qualsivoglia richiesta, contattare il rivenditore locale, o in alternativa:  
Pour toute demande, s'adresser au revendeur le plus proche ou appeler: Para cualquier consulta, llame a su distribuidor local, o alternativamente:

## ARTESIA S

Disassembly Direction



### MATERIALS

Polipropylene   Polipropilene Polipropylene   Polipropileno	Plastomero/Elastomero Plastomère/Elastomère	Steel   Acciaio Acier   Acero	Polyamide   Poliammide Poliamide   Poliamida
 (1x)	 (2x)	 (1x)	 (2x) (2x) (2x)

For proper recycling, arrange the products in different bins, following the information. | Disporre i componenti in contenitori diversi, seguendo quanto indicato per una rapida identificazione e corretto riciclaggio. | Ranger séparément les différents composants, selon la description, de façon à les identifier facilement et en permettre un recyclage correct. | Organice los componentes en diferentes contenedores, siguiendo los pasos descrito para una identificación rápida y un reciclaje adecuado.

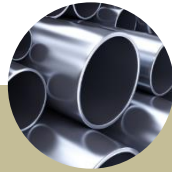
## IN THE NATURAL RESPECT

Function, design and sustainability



### TECHNOPOLYMER

Gaber® production employs exclusively high-tech thermoplastic materials, which are 100% recyclable. Gaber® produces plastic injected materials without added chemicals. Materials purchased within the European Union, in the complete respect of "Reach Regulation".



### METAL

Metal structures are available with "trivalent" chroming or painted finishes. Prime-quality special epoxy powder coating used on frames enhance color stability from batch to batch and over time, increasing its corrosion resistance and achieving excellent resistance to atmospheric agents.



### WOOD

Wooden products are manufactured in accordance with the European Regulations in force regarding formaldehyde emissions from wood-based products. Gaber uses wooden raw materials coming from PEFC chain of custody certified materials.



### PACKAGING

Corrugated paperboard carton boxes, printed with environmentally friendly inks, are made of 90% recycled and recyclable materials. Packaging is sized in order to optimize storage and transport requirements, both helping the environment and saving on transport costs.

Each techno-polymer item is marked with a specific symbol, which identifies the kind of polymer for a quick identification and a consequent recycling.