

## Vineyard extra-large coffee table legs

by Ramón Esteve

Vineyard Collection, by Ramon Esteve, is an aluminium and wooden outdoor furniture collection with a rustic and warm style.

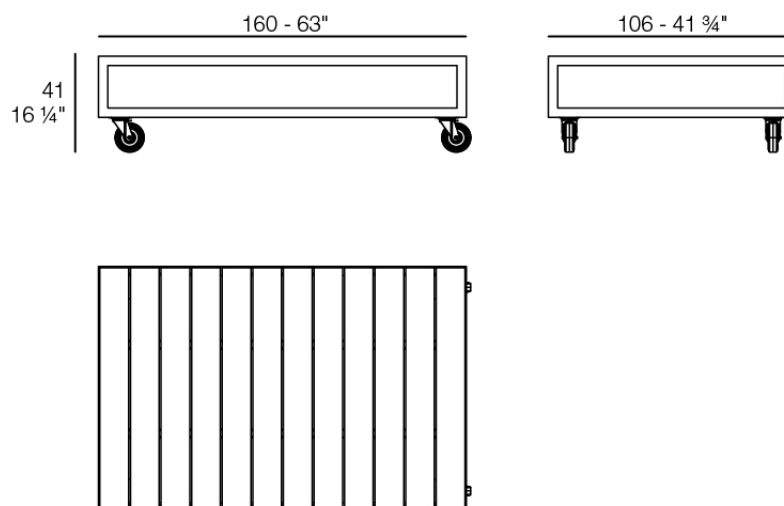


## Info

---

### Description

Weight: 60 Kg



VINEYARD Mesa XL  
VINEYARD Table XL

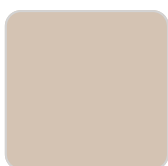
## Finishes

---

### finishes

---

Aluminium  
Ref. 54504SU



crema



castoro fiber

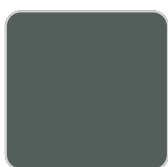


cacao

### panel/top

---

Solid Core  
Ref. 54504AA



modo green

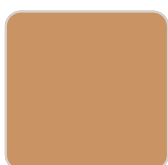


oak1



oak2

Aluminium  
Ref. 54504AA



natural teak



weathered teak

## Ambients

---

