



# GEISHA

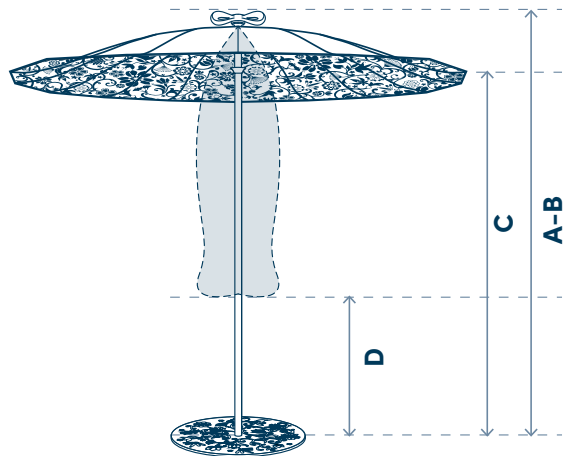
Design by Marcel Wanders

CREATING PARASOLS FOR PROFESSIONALS

# GEISHA

## Technical details

Design by Marcel Wanders



<b>PARASOL</b>		Ø 250 cm – H 232 cm
<b>Shape</b>		
<b>Dimensions</b>	A - Height closed	232 cm
	B - Height open	232 cm
	C - Free height open	200 cm
	D - Free height closed	98 cm
	Weight	11,7 kg
	Packaging size	275 x 27 x 27 cm
	Shade area (m <sup>2</sup> )	ca 4,90 m <sup>2</sup>
	<b>Fabric</b>	Printed version
Mono version		Parasol fabric: 100% polyester Red Bordeaux White Black
Option fire Retardant		-
<b>Frame</b>	Pole	Ø 40 mm x 1,5 mm
	Material	Inox 316 – Powder coated black RAL 9005
	Ribs	16 x Ø 4,5 mm – Steel powder coated black RAL 9005
<b>Protective cover</b>		Polyester Ripstop® – grey



## BASES

### GEISHA 25 kg

Ø 74 cm - 10 mm - Steel QSTE 325 - Sandblasted, metallized and powder coated

#### Colours

black RAL 9005

#### Wind resistance

4 Bft (28 km/h - 17 mph)



### RONDO 41 kg

Ø 74 cm - 12 mm steel - Sandblasted, metallized and powder coated

#### Colours

white RAL 9010 - black RAL 9005

#### Wind resistance

6 Bft (49 km/h - 31 mph)

Base options 1



## BASE OPTIONS

### 1 - EXTRA WEIGHT

2 x 10 kg

- Ø 74 cm, 2 parts
- 6 mm steel
- Sandblasted, metallized and powder coated

#### Colours

white RAL 9010 - black RAL 9005



## COLOURS PARASOL FABRIC

### PRINTED VERSION



White/Black print



White/ Dark Grey print



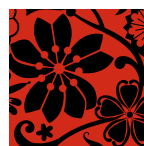
White/Warm Grey print



White/Red print



Red/Black print



Bordeaux/ Black print

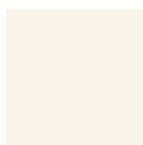
### MONO VERSION



Red



Bordeaux



White



Black