



BLOOM

Design by Davy Grosemans



GERMAN
DESIGN
AWARD
NOMINEE
2017

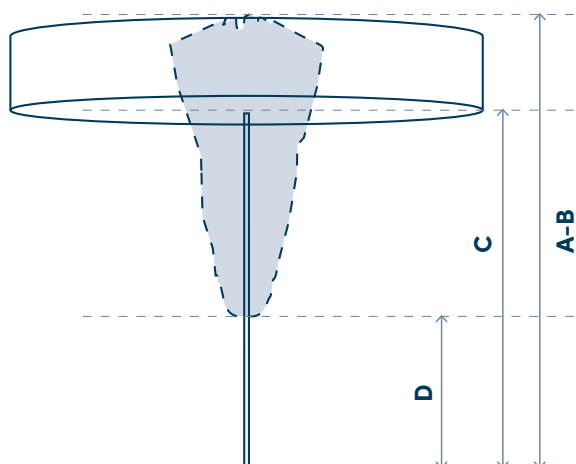



A'DESIGN AWARD
WINNER 2017
G O L D

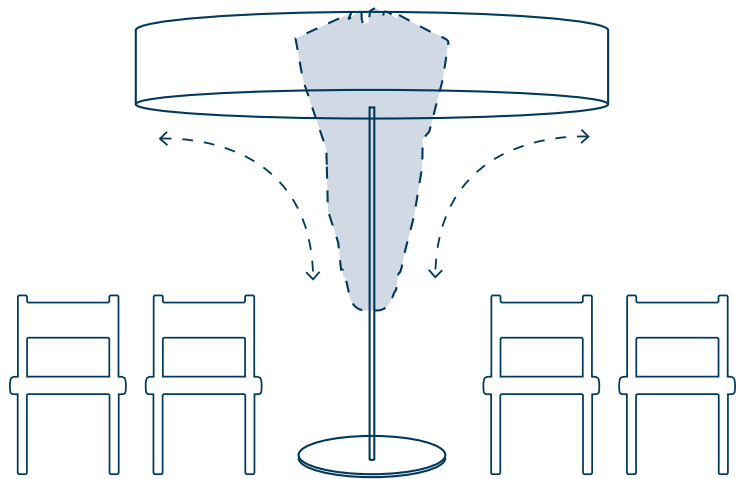
BLOOM

Technical details

Design by Davy Grosemans



		DEGRADE	COLOURED TOP FABRIC	DEGRADE	COLOURED TOP FABRIC
PARASOL		Ø 300 cm - H 240 cm		Ø 300 cm - H 260 cm	
Shape					
Dimensions	A - Height closed	240 cm		260 cm	
	B - Height open	240 cm		260 cm	
	C - Free height open	210 cm		230 cm	
	D - Free height closed	56 cm		76 cm	
	Weight	30 kg		30 kg	
	Packaging size	275 x 27 x 27 cm		380 x 36 x 30 cm	
	Shade area (m ²)	± 7,07 m ²		± 7,07 m ²	
Fabric	Top fabric	Airtex	Airtex	Airtex	Airtex
	Top fabric colours	○	○ ● ● ● ●	○	○ ● ● ● ●
	Flags fabric	Polyester	Polyester	Polyester	Polyester
	Flags colours	● ●	○	● ●	○
	Option fire Retardant	no	yes, only white top fabric and white flags	no	yes, only white top fabric and white flags
Frame	Pole	Ø 40 mm		Ø 40 mm	
	Material	Stainless steel 316 - epoxy primed and powder coated		Stainless steel 316 - epoxy primed and powder coated	
	Colour	● ●	○	● ●	○
	Ribs	12 x Ø 18 mm - Aluminium		12 x Ø 18 mm - Aluminium	
Protective cover		Polyester Ripstop® - grey		Polyester Ripstop® - grey	



BASES

BASE PLATE ROUND 41 kg

Ø 74 cm - 12 mm - Steel QSTE 325 - Sandblasted, metallized and powder coated

Colours

white RAL 9010 - black RAL 9005 - Raspberry red RAL 3027

Wind resistance

6 Bft (49 km/h - 31 mph)

Base options 1



RONDO 42 kg

Ø 74 cm - 12 mm steel - Sandblasted, metallized and powder coated

Colours

white RAL 9010 - black RAL 9005

Base options 1



BASE OPTIONS

1 - EXTRA WEIGHT

2 x 10 kg

- Ø 74 cm, 2 parts
- 6 mm steel
- Sandblasted, metallized and powder coated

Colours

white RAL 9010 - black RAL 9005



COLOURS AIRTEX



9577
White

9526
Yellow

9527
Orange

9675
Red

COLOURS FLAG FABRIC



White

Degradating
White-Red

Degradating
White-Black



Light Quaseo



Bla Bla table
white RAL 9010 – black RAL 9005



Coupe + Bla Bla table
only in black RAL 9005